

# Technical data sheet



## Product features

### Cooking range electric 6x plates

|              |                 |          |
|--------------|-----------------|----------|
| <b>Model</b> | <b>SAP Code</b> | 00014647 |
|--------------|-----------------|----------|



- Device type: Electric unit
- Material: AISI 304

|                        |          |                            |                    |
|------------------------|----------|----------------------------|--------------------|
| <b>SAP Code</b>        | 00014647 | <b>Net Weight [kg]</b>     | 121.00             |
| <b>Net Width [mm]</b>  | 1200     | <b>Power electric [kW]</b> | 21.000             |
| <b>Net Depth [mm]</b>  | 900      | <b>Loading</b>             | 400 V / 3N - 50 Hz |
| <b>Net Height [mm]</b> | 900      |                            |                    |

# Technical data sheet



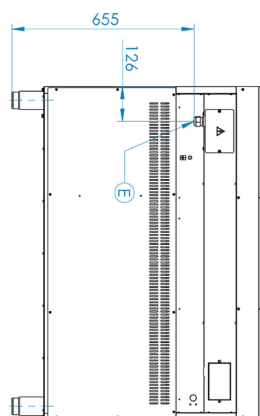
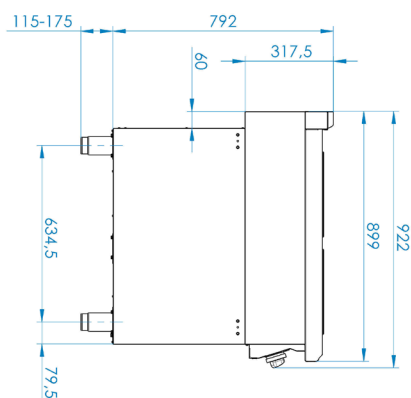
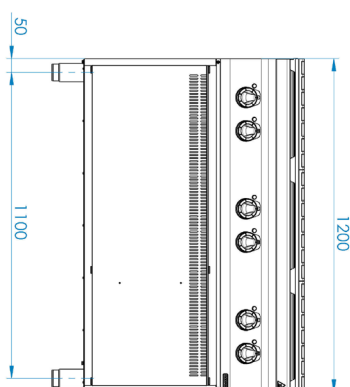
Technical drawing

Cooking range electric 6x plates

Model

SAP Code

00014647



# Technical data sheet



## Technical parameters

### Cooking range electric 6x plates

|              |                 |          |
|--------------|-----------------|----------|
| <b>Model</b> | <b>SAP Code</b> | 00014647 |
|--------------|-----------------|----------|

**1. SAP Code:**

00014647

**2. Net Width [mm]:**

1200

**3. Net Depth [mm]:**

900

**4. Net Height [mm]:**

900

**5. Net Weight [kg]:**

121.00

**6. Gross Width [mm]:**

1260

**7. Gross depth [mm]:**

990

**8. Gross Height [mm]:**

1180

**9. Gross Weight [kg]:**

140.00

**10. Device type:**

Electric unit

**11. Power electric [kW]:**

21.000

**12. Loading:**

400 V / 3N - 50 Hz

**13. Material:**

AISI 304

**14. Worktop Thickness [mm]:**

1.50

**15. Number of power control stages:**

7

**16. Number of burners/hot plates:**

6

**17. Type of electric cooking zones:**

Oval

**18. Cross-section of conductors CU [mm<sup>2</sup>]:**

10

- Výkon (kW): 5,7-6,6 (230 V); 9,8-11 (400 V)